

No.

390 / AUT 50

1st prolongation

**CERTIFICATE OF JUMPING HILL
CERTIFICAT DE CONFORMITE
SCHANZENPROFILBESTÄTIGUNG**

Date of issue
Établi le
Ausgestellt am

09.08.2019

Valid till
Valable jusq` au
Gültig bis

30.04.2024

Place:

Tschagguns

Name:

HS 108

HS =

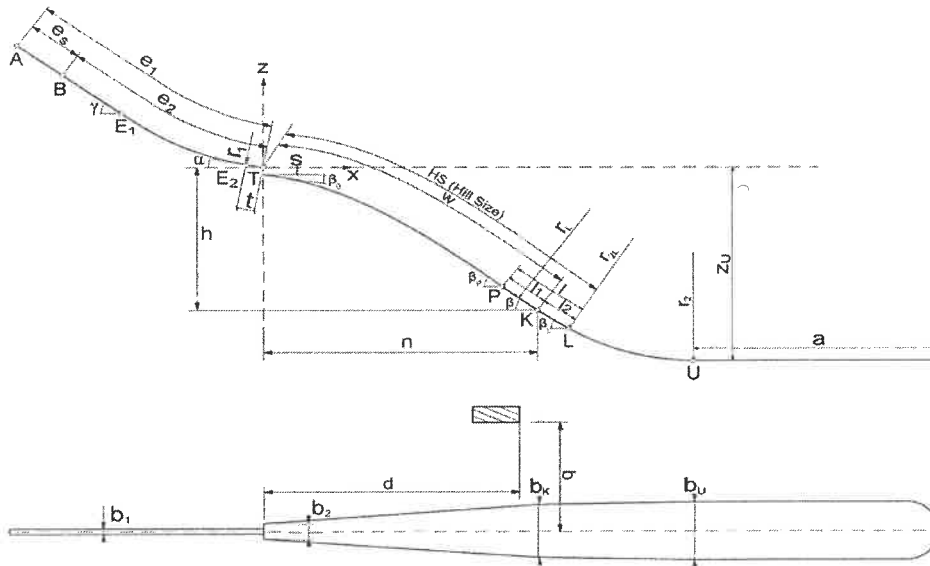
108 m

h/n

0,553

Vo =

25,00 m/s



e =	81,85 m	$l_1 =$	12,04 m	Zu =	67,57 m	
e ₂ =	58,80 m	$l_2 =$	10,90 m	P =	85,04 m	
e _s =	18,03 m	28 gates á 40/53cm	a =	80,00 m	K =	97,08 m
t =	6,48 m	$\beta_p =$	35,86 °	L =	108,00 m	
$\gamma =$	37,00 °	$\beta =$	32,86 °	b ₁ =	2,50 m	
$\alpha =$	11,50 °	$\beta_L =$	30,14 °	b ₂ =	6,80 m	
r ₁ =	93,93 m	r _L =	230,00 m	b _K =	19,50 m	
h =	46,75 m	r _{2L} =	120,00 m	b _U =	21,50 m	
n =	84,53 m	r ₂ =	120,00 m	d =	47,50 m	
s =	3,50 m	q =	67,57 m			

Remarks / Bemerkungen

- inspection by Piere Bailly (2nd July 2019)
- the remarks of the inspection-report must be observed and fulfilled for the validity of the certification.
- for fulfilling the (FIS/ICR) standards of the jumpinghills, the owner is responsible during training and competition.
- the area "B" in front of the take off table must be covered with soft damp mats during training and competition.

JUMPING HILL APPROVED BY THE FIS
TREMPLEIN HOMOLOGUE PAR LA FIS
DURCH DIE FIS GENEHMIGTE SPRUNGSCHANZE

SUB-COMMITTEE FOR JUMPING HILLS

CHAIRMAN:

Hans-Martin Rein